

BEDSIDE TABLE | CHEST OF DRAWERS | TALL BOY

PLINTH DESIGN – 450mm, 600mm & 1000mm

Assembly Instructions

A Top panel

B Back panel(s)

C Side panel (left)

D Side panel (right)

E Base panel

F Legs

G Metal infill strip(s)

H Drawer infill panel(s)

I Soft close drawer runners

J Drawer sides (right)

K Drawer fronts

L Drawer bases

M Drawer sides (left)

N Drawer backs

CARCASS FIXINGS

1



Euro screws
Bedside Unit x 12
Chest of Drawers x 18
Tallboy x 24

2



Cams (18mm)
Bedside Unit x 14
Chest of Drawers x 20
Tallboy x 22

3



Wooden dowels
Bedside Unit x 20
Chest of Drawers x 22
Tallboy x 24

4



Dowels
Bedside Unit x 14
Chest of Drawers x 20
Tallboy x 22

5



Wall mounting brackets
All Products x 2

6



Glue*

DRAWER FIXINGS

9



Dowels
Per Drawer x 2

10



Wooden dowels
Per Drawer x 8

11



Cams (15mm)
Per Drawer x 2

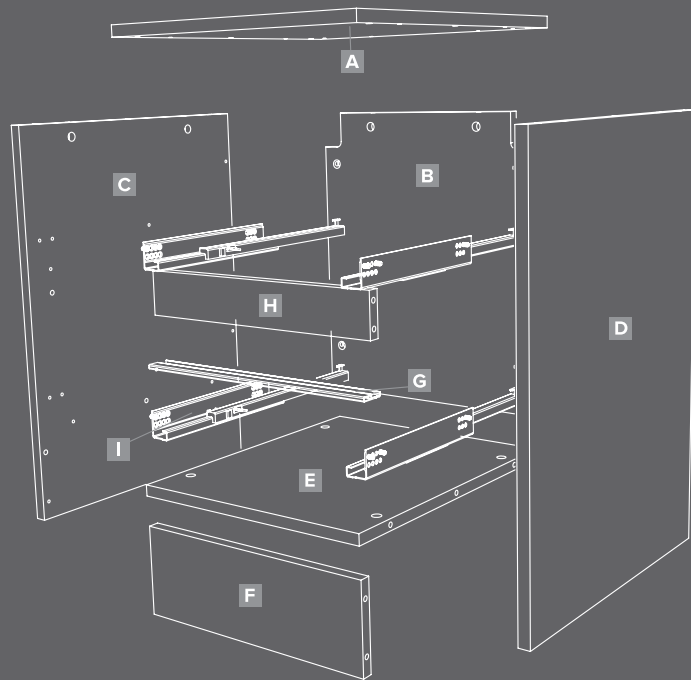
RECOMMENDED:

- Tools: Pozidrive screwdriver
- Two person build

We recommend using the Wall Mounting Brackets provided to fix the Chest of Drawers/Tall Boy to a wall (where possible). This will prevent the unit being pulled over. Use suitable wall fixings. Don't worry if some fixings are left over. We have provided enough fixings for all our products, where some take less

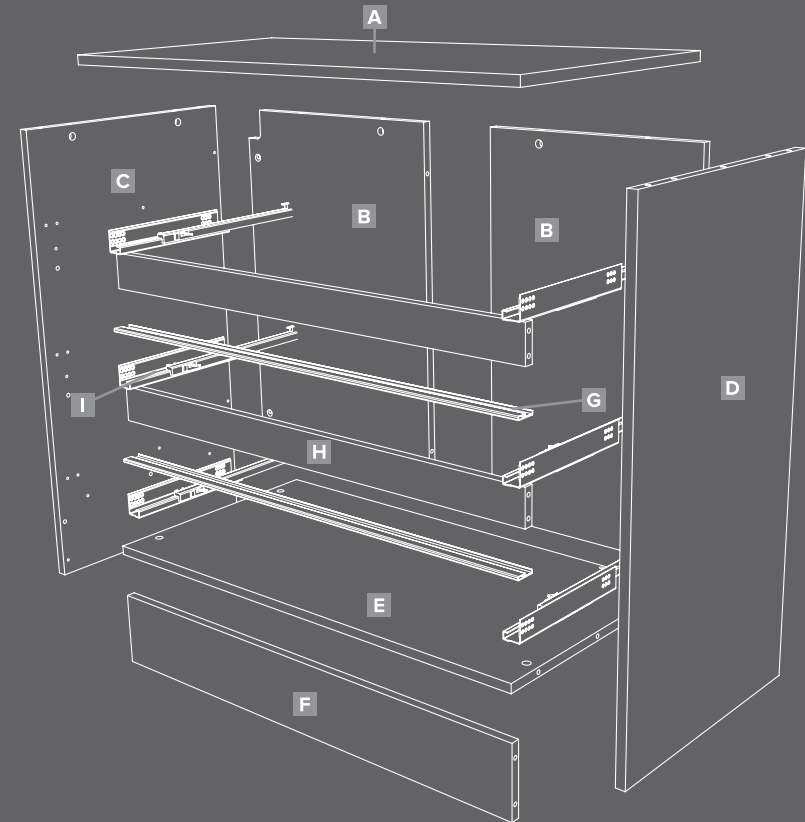
*A drop of glue needs to be added into all holes the wooden dowels are placed into (items 3 & 10).

Bedside Table

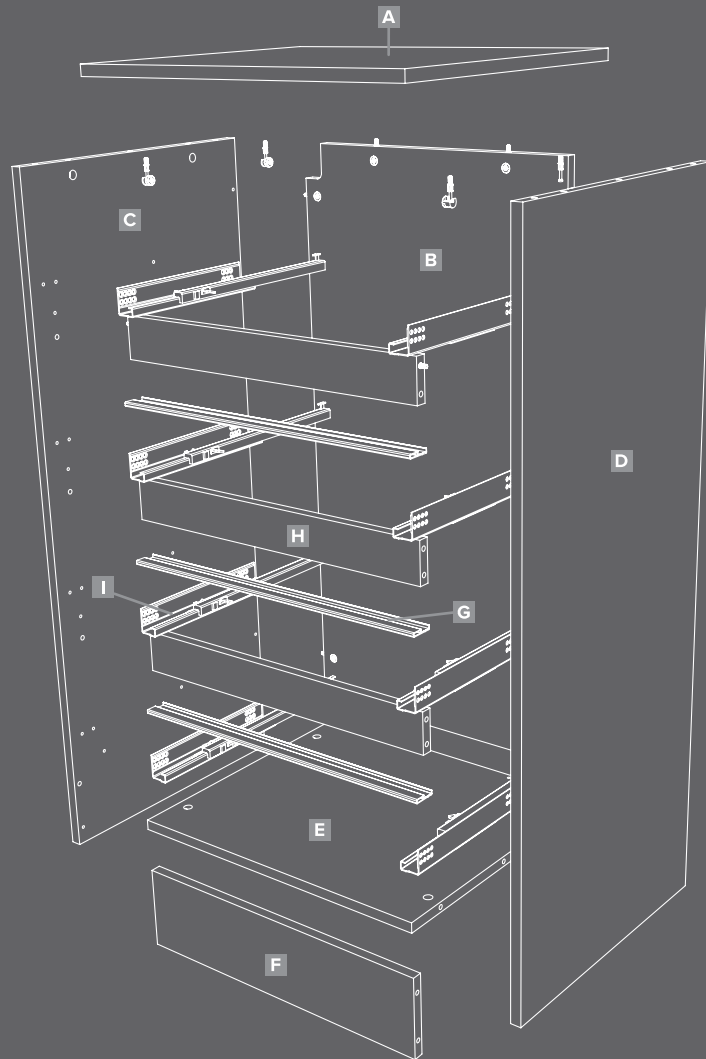


Chest of Drawers

Note: 1000mm Chest of drawers contains 2x back panels (B)

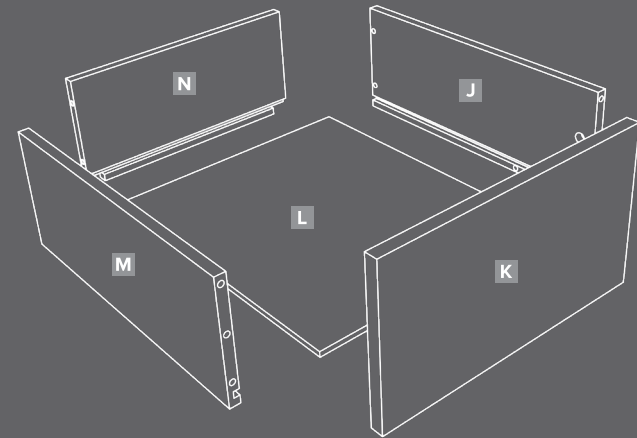


Tallboy

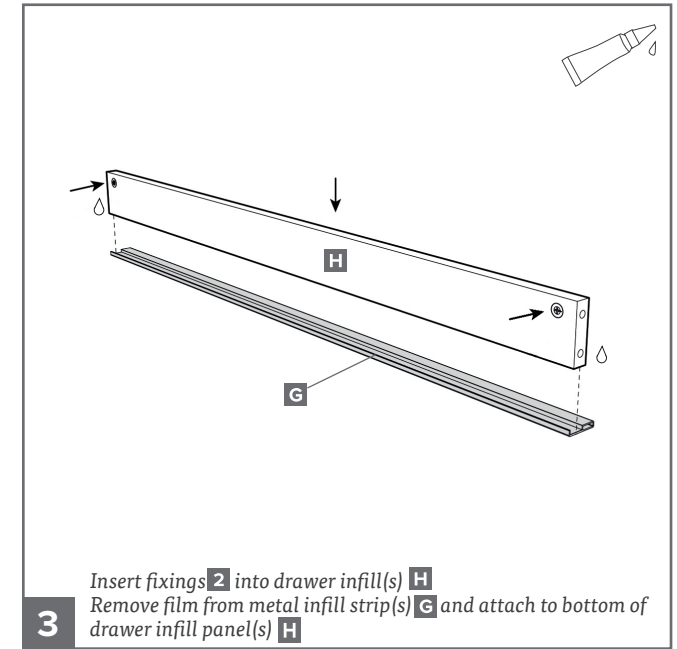
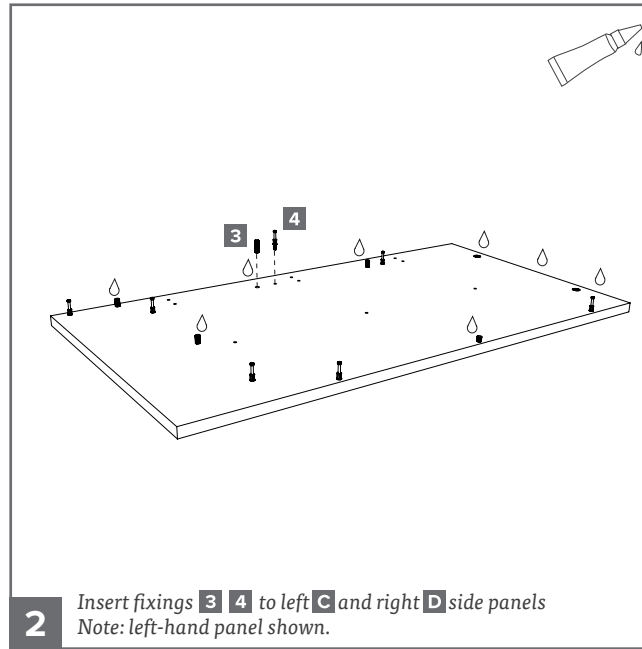
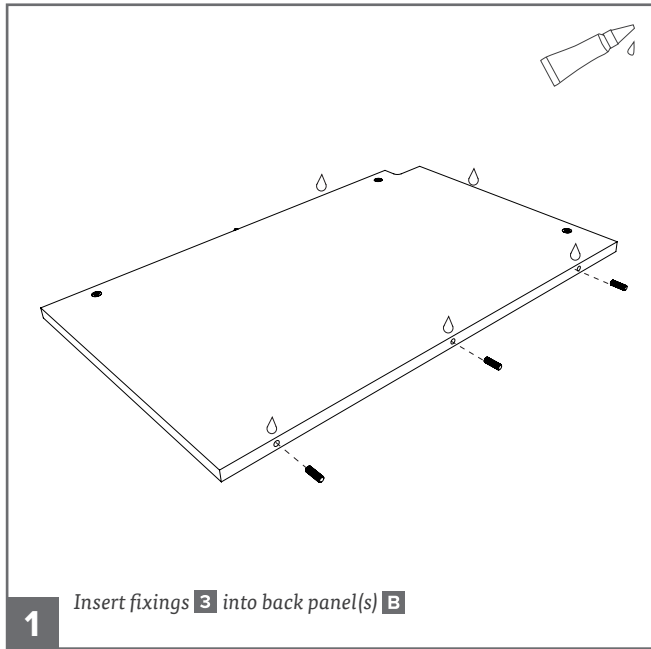


Drawers

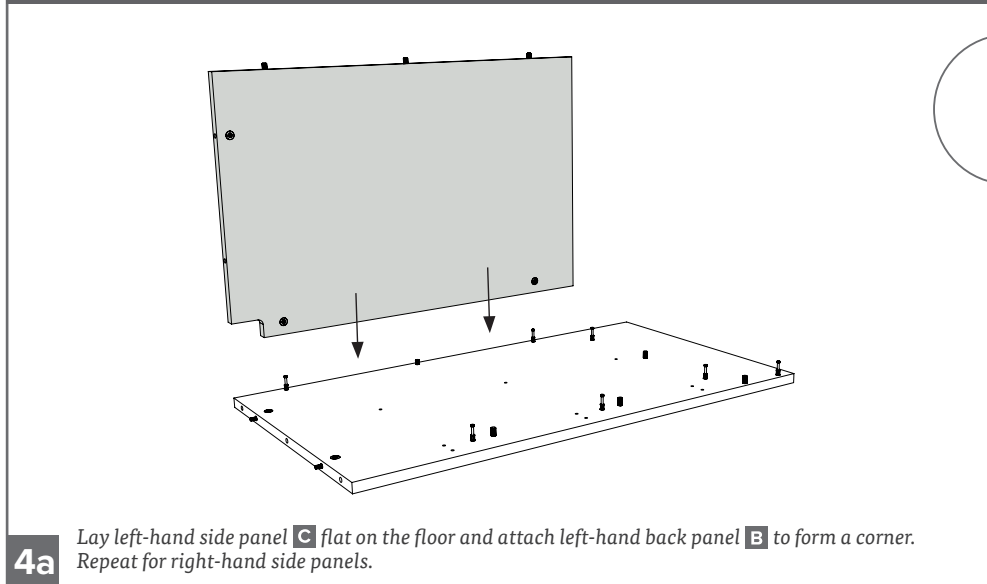
Number of drawers:
Bedside Table – x2
Chest of Drawers – x3
Tallboy – x4



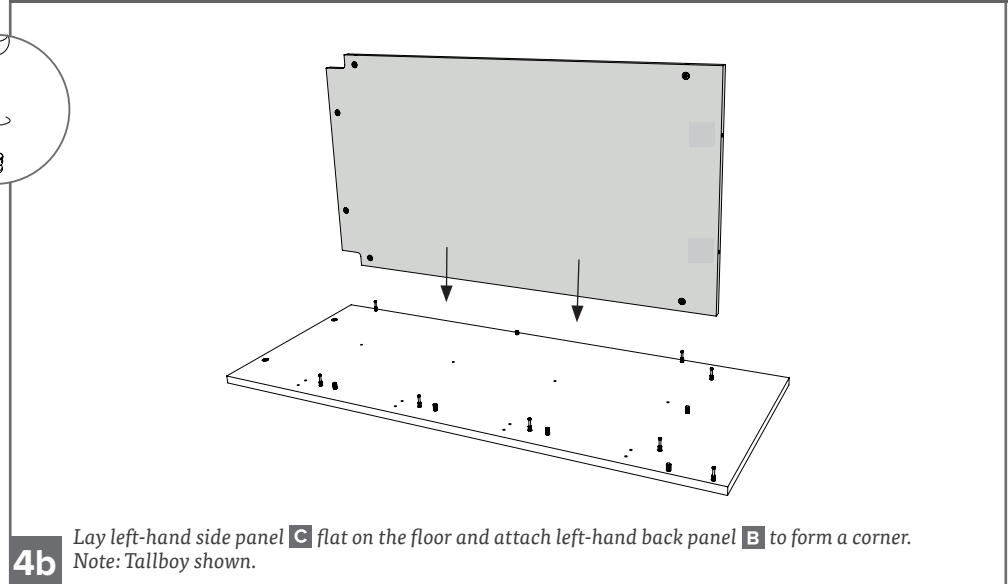
PLEASE NOTE ALL UNITS ARE THE SAME IN CONSTRUCTION, WITH THE EXCEPTION OF THE 1000mm CHEST OF DRAWERS UNIT (WHICH HAS 2X BACK PANELS). WE HAVE USED THE 1000mm CHEST OF DRAWERS IN THE FOLLOWING VISUALS (UNLESS OTHERWISE STATED).



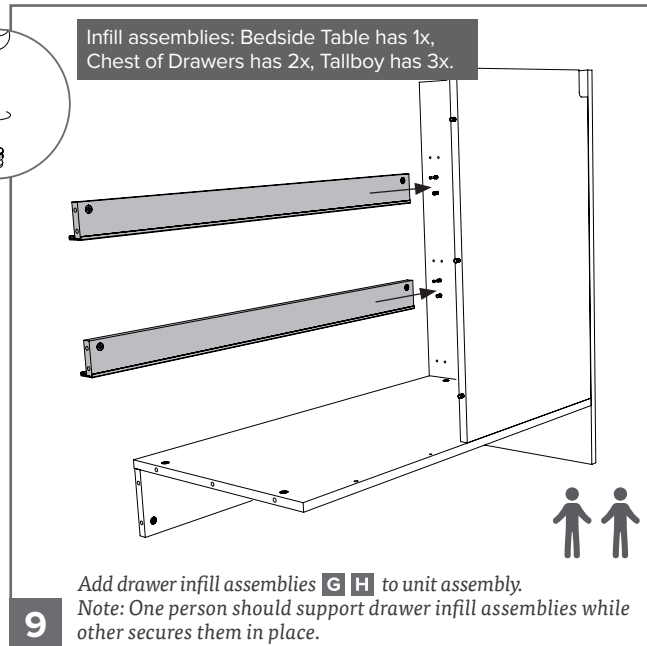
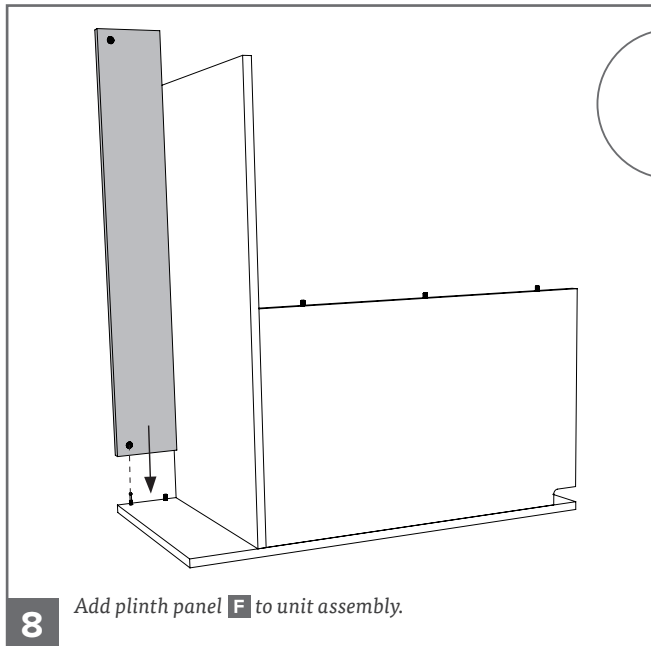
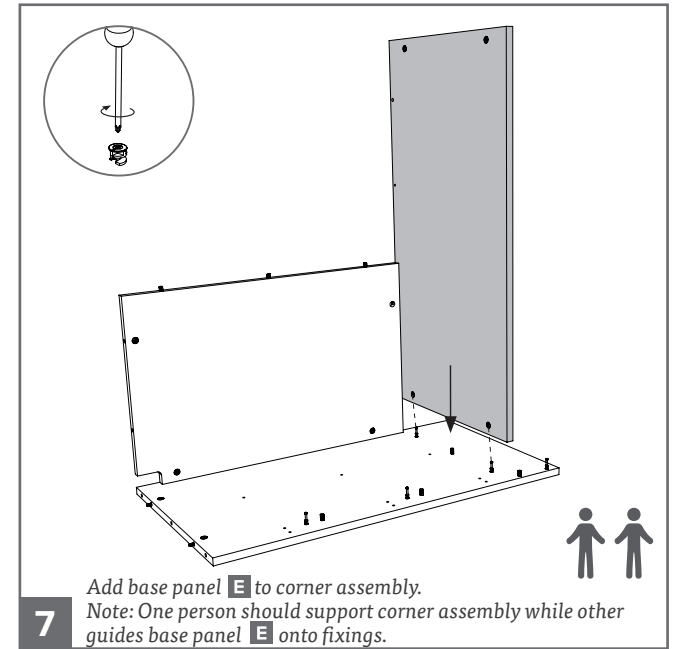
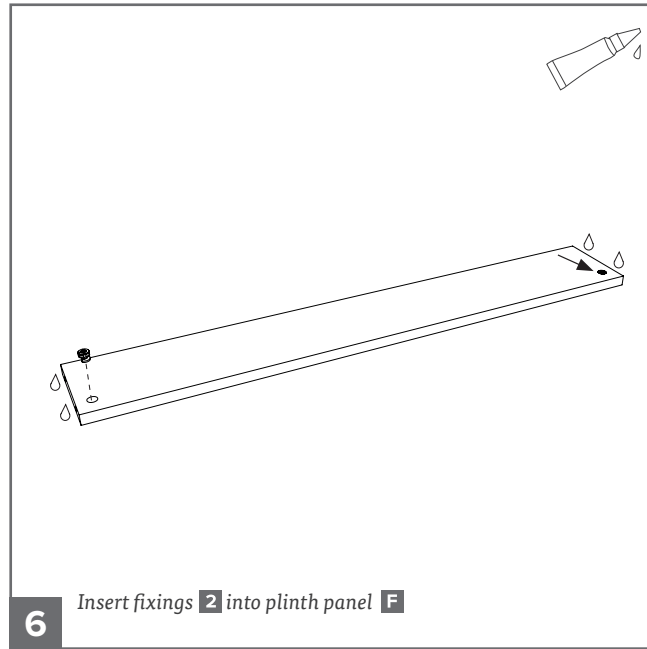
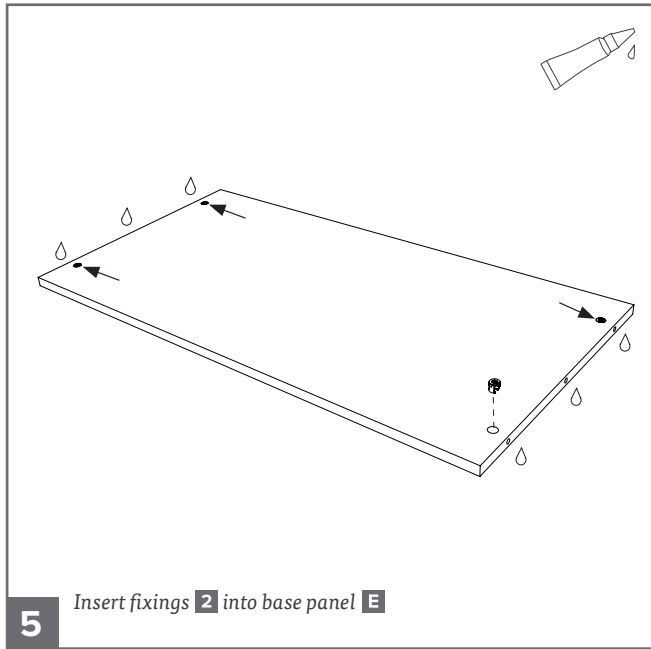
FOR 1000MM CHEST OF DRAWERS ONLY



FOR ALL OTHER UNITS

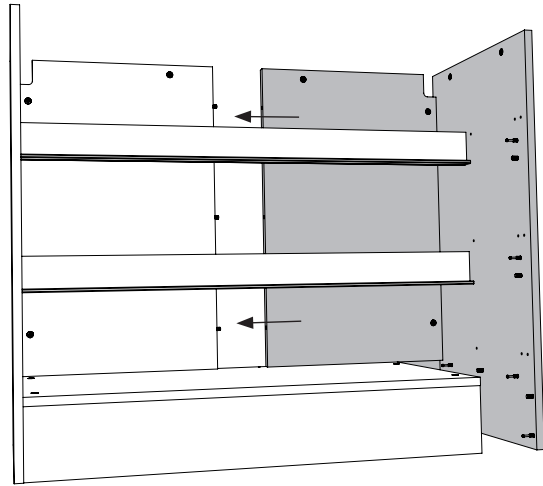


PLEASE NOTE ALL UNITS ARE THE SAME IN CONSTRUCTION, WITH THE EXCEPTION OF THE 1000mm CHEST OF DRAWERS UNIT (WHICH HAS 2X BACK PANELS). WE HAVE USED THE 1000mm CHEST OF DRAWERS IN THE FOLLOWING VISUALS (UNLESS OTHERWISE STATED).



PLEASE NOTE ALL UNITS ARE THE SAME IN CONSTRUCTION, WITH THE EXCEPTION OF THE 1000mm CHEST OF DRAWERS UNIT (WHICH HAS 2X BACK PANELS). WE HAVE USED THE 1000mm CHEST OF DRAWERS IN THE FOLLOWING VISUALS (UNLESS OTHERWISE STATED).

FOR 1000MM CHEST OF DRAWERS ONLY

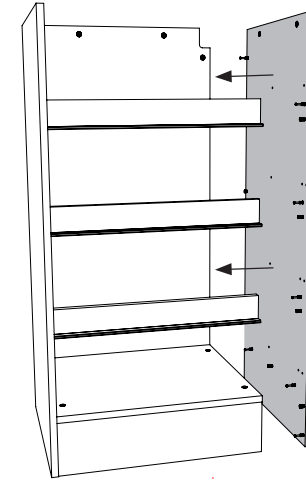


10a

Add right-hand side panel assembly to unit assembly.
 Note: One person should support drawer infill assemblies while guiding onto fixings.

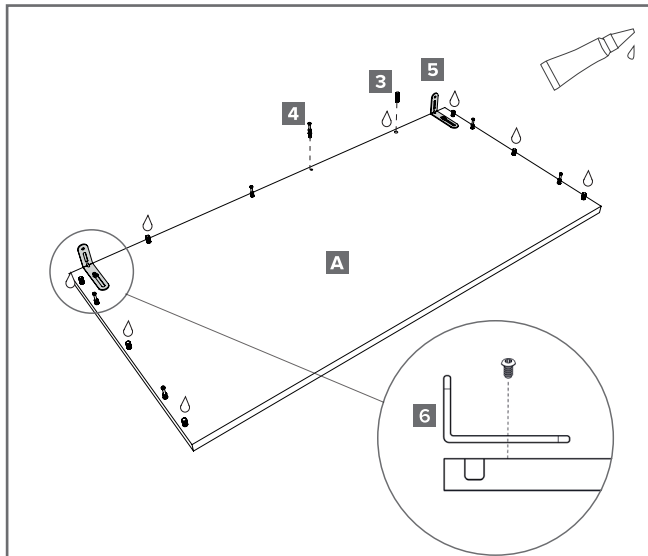


FOR ALL OTHER UNITS



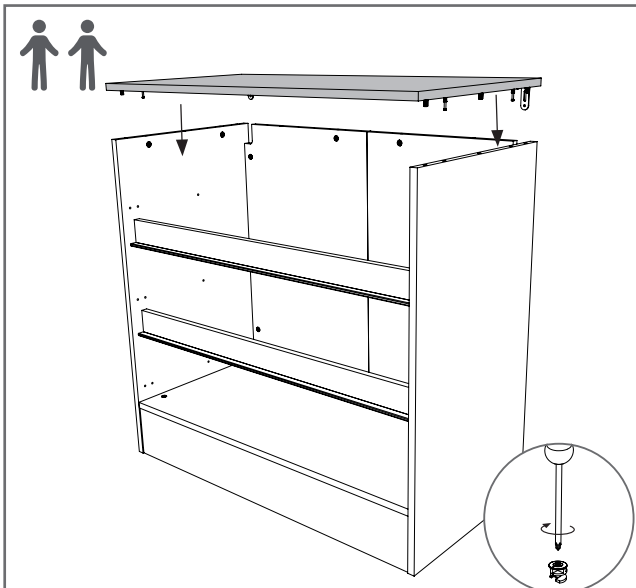
10b

Add right-hand side panel to unit assembly (Tallboy shown).
 Note: One person should support drawer infill assemblies while guiding onto fixings.



11

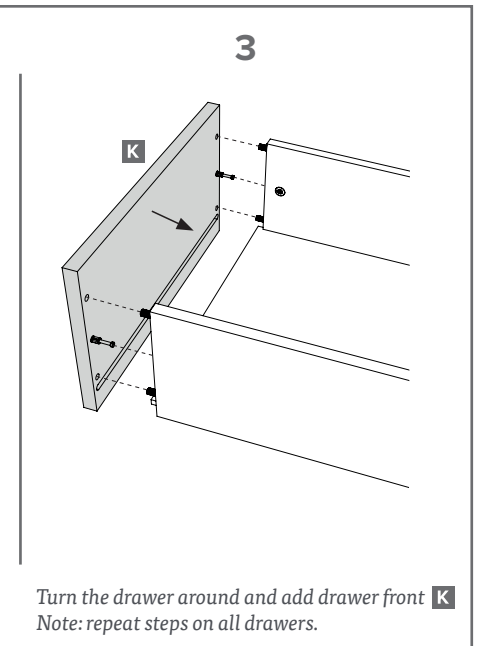
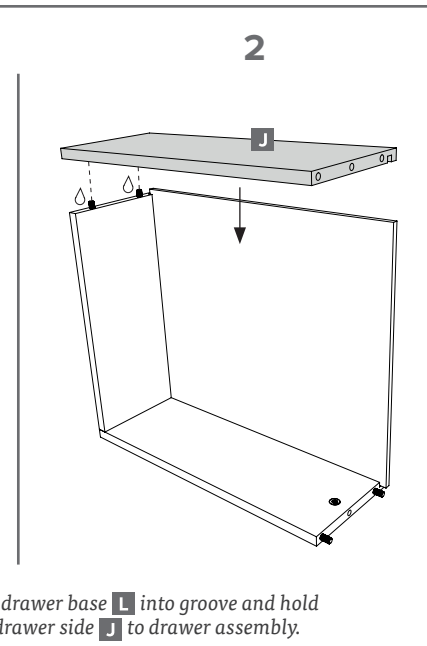
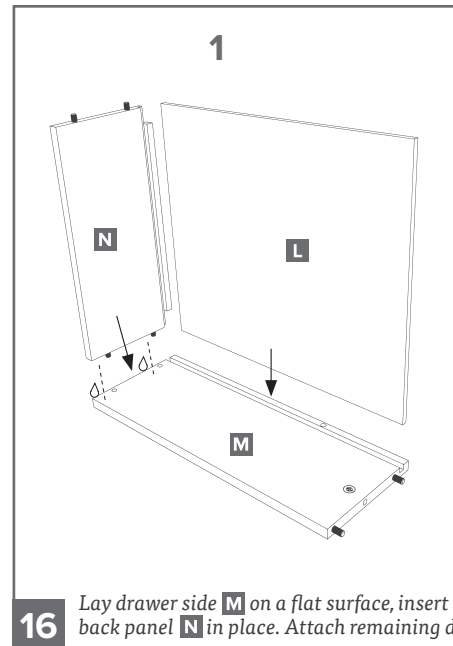
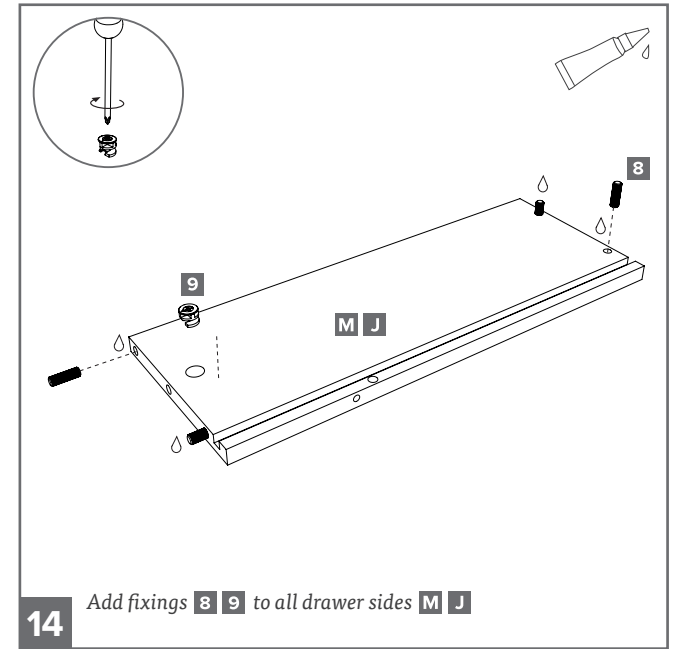
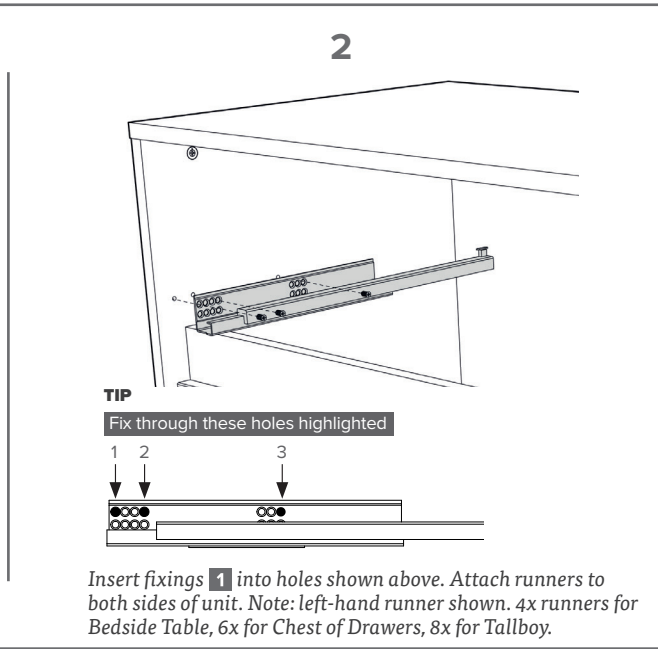
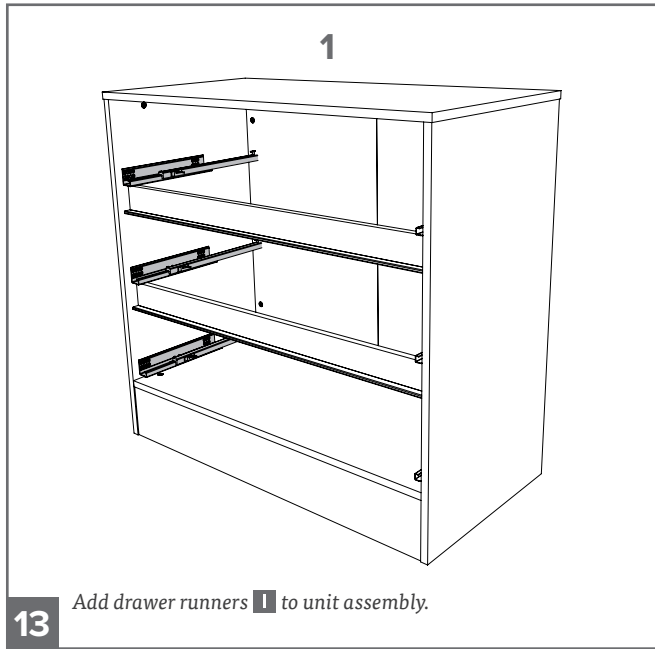
Add fixings 3 4 and wall mounting brackets 6 to top panel A



12

Add top panel A to unit assembly.
 Note: ensure all fixings are lined up with the correct holes.

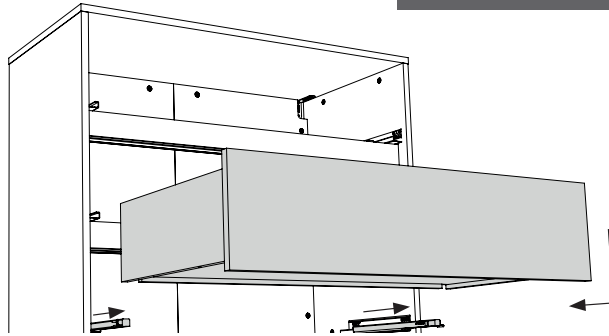
PLEASE NOTE ALL UNITS ARE THE SAME IN CONSTRUCTION, WITH THE EXCEPTION OF THE 1000mm CHEST OF DRAWERS UNIT (WHICH HAS 2X BACK PANELS). WE HAVE USED THE 1000mm CHEST OF DRAWERS IN THE FOLLOWING VISUALS (UNLESS OTHERWISE STATED).



PLEASE NOTE ALL UNITS ARE THE SAME IN CONSTRUCTION, WITH THE EXCEPTION OF THE 1000mm CHEST OF DRAWERS UNIT (WHICH HAS 2X BACK PANELS). WE HAVE USED THE 1000mm CHEST OF DRAWERS IN THE FOLLOWING VISUALS (UNLESS OTHERWISE STATED).

Inserting the drawers

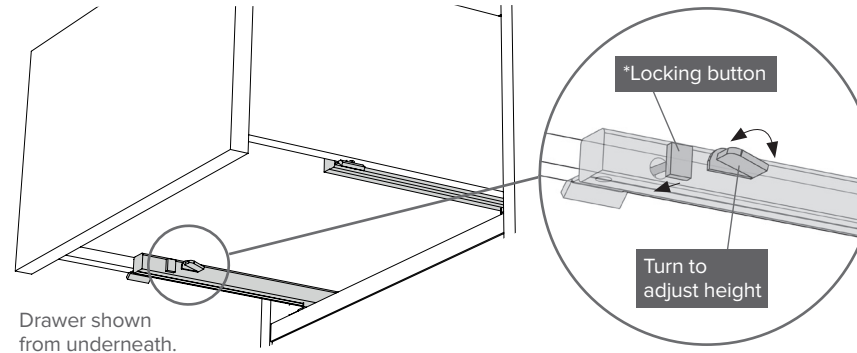
Note: Ensure locking button* is disengaged (pulled out) before inserting the drawers.



Pull sliding part of lower drawer runners out and sit drawer assembly on top. While holding runners in place, slide drawer assembly back until it clicks.

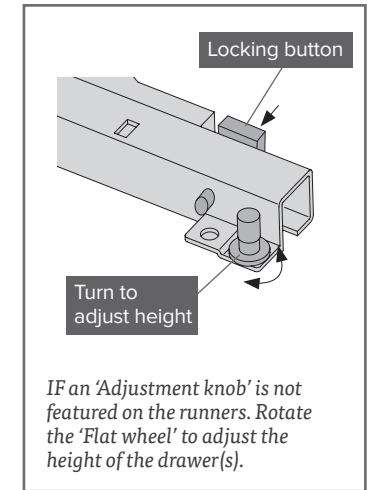
17

Fixing the drawers in place

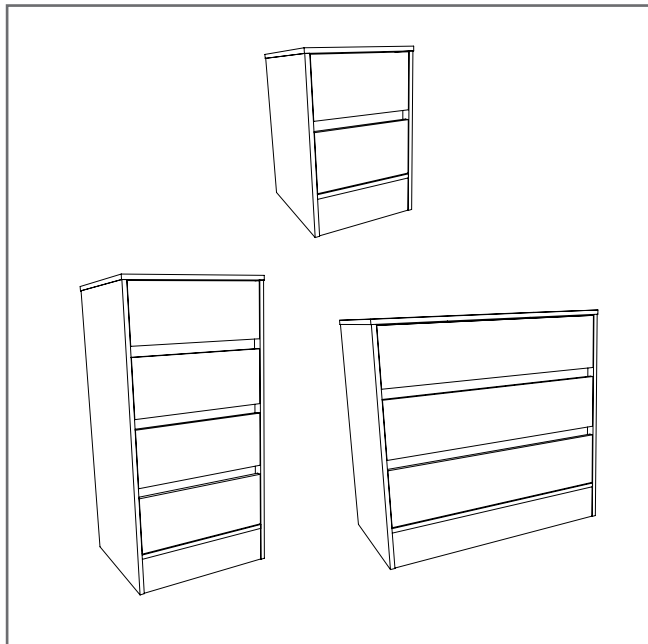


Drawer shown from underneath.

A – Push in the 'Locking button' to lock the drawer onto the drawer runner.
B – Turn the knob to adjust the height of the drawer and the alignment with the unit and other drawers.

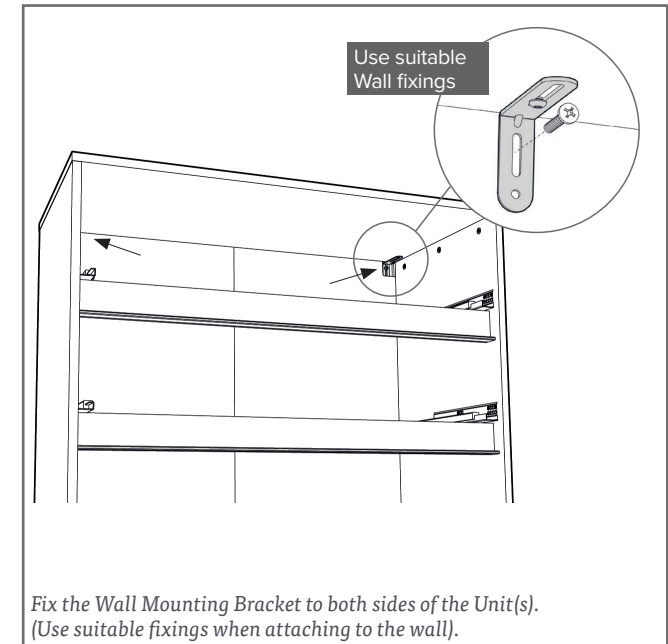


IF an 'Adjustment knob' is not featured on the runners. Rotate the 'Flat wheel' to adjust the height of the drawer(s).



WALL MOUNTING BRACKETS !

We recommend you use the Wall Mounting Brackets provided to fix the Chest of Drawers/Tall Boy to a wall (where possible). This will prevent the unit being pulled over. Use suitable fixings.



Fix the Wall Mounting Bracket to both sides of the Unit(s). (Use suitable fixings when attaching to the wall).

A GUIDE TO FIXINGS



Wall & Ceiling Fixings: You must first identify the type of wall or ceiling you intend to fix product onto and then contact your local hardware store if the fixings supplied are not suited to your wall or ceiling type. Care and Maintenance: Safety: Always check the fitting and location to ensure your safety in and around the home. Fitting: From time to time check the fitting to ensure the wall plugs or screws do not become loose.

IMPORTANT NOTE: When drilling into walls always check that there are no hidden wires or pipes etc. Make sure that the screws and plugs being used are suitable for supporting your unit. Always consult a qualified trades person if you are unsure.

Tips: 1. Ensure you use the recommended drill bit to match the wall plug and hole size.

Tips: 2. Ensure you drill the hole straight, do not force the drill or enlarge the hole.

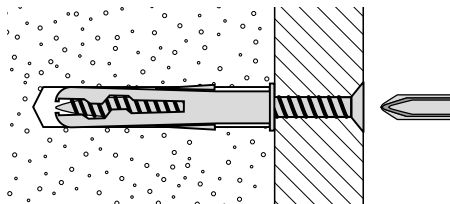
Tips: 3. Take extra care when drilling high walls, ceilings and ceramic tiles. Ensure wall plugs are inserted beyond the thickness of the ceramic tiles to avoid the tiles splitting or cracking.

Tips: 4. Ensure wall plugs are well fitted and are a tight fit in the drilled hole.

Types Of Structures:

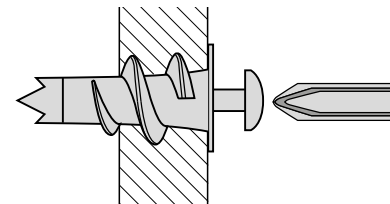
You can use one of the following types of wall plug if your walls are made of brick, breeze block, concrete, stone or wood.

1: General Purpose / Concrete or Block Work wall plug. NOT supplied.



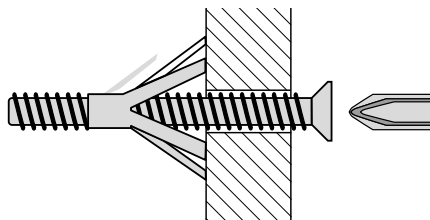
Generally aerated blocks should not be used to support heavy loads, use a specialist fitting in this case. For light loads, general purpose wall plugs can be used.

2: Plasterboard wall plug. NOT supplied.



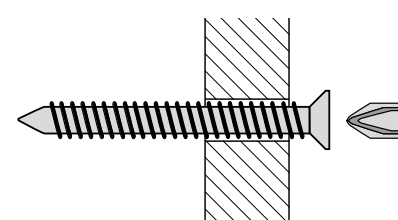
For use when attaching light loads on to plasterboard partitions.

3: Cavity Fixing wall plug. NOT supplied.



For use with plasterboard partitions or hollow wooden doors.

4: Wooden Structure. Screws provided.



If you know you are fixing directly into a wooden batten, the screws provided do not require a plug.